

CKSC / N – CARTUCHO SIMPLES ESTACIONÁRIO



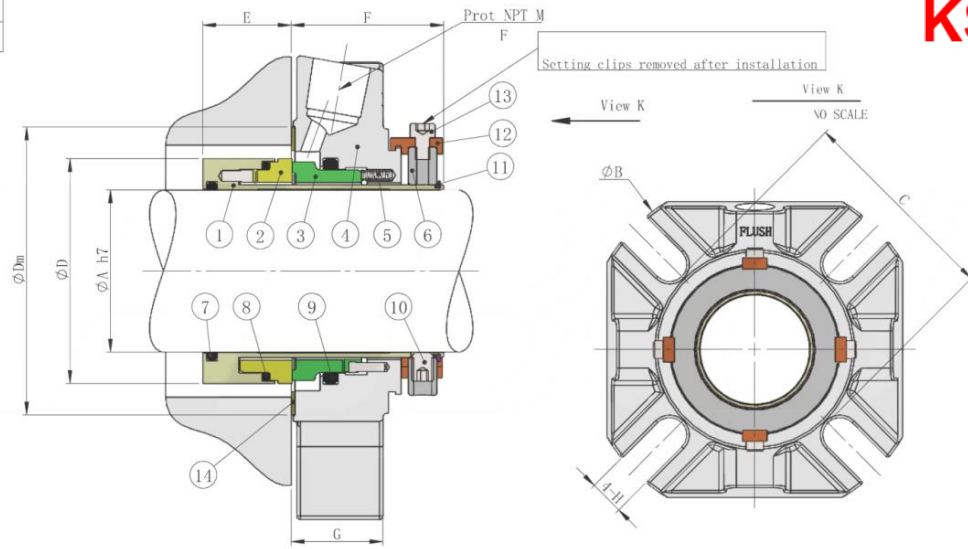
***Selo Mecânico Estacionário com faces balanceadas**

***Robustez o que permite menor deformação em altas temperaturas e pressões elevadas**

***Limites de pressão até 25 bar**

***Adequado para Planos API 11 / 21 / 32 / 62**

Connection
F



KSC

MM

A	B	C	D	Dm	E	F	G	H	M
25	105.0	62.0	43.0	60.0	24.6	42.4	25.5	13.2	1/4"
28	105.0	62.0	46.0	60.0	24.6	42.4	25.5	13.2	1/4"
30	105.0	67.0	48.0	65.0	24.6	42.4	25.5	13.2	1/4"
32	110.0	70.0	50.0	65.0	24.6	42.4	25.5	13.2	1/4"
33	110.0	70.0	50.0	65.0	24.6	42.4	25.5	13.2	1/4"
35	113.0	72.0	53.0	68.0	24.6	42.4	25.5	13.2	1/4"
38	135.0	80.0	56.0	78.0	24.6	42.4	25.5	13.2	3/8"
40	135.0	80.0	58.0	78.0	24.6	42.4	25.5	14.2	3/8"
42	135.0	80.0	61.0	78.0	24.6	42.4	25.5	14.2	3/8"
43	135.0	80.0	61.0	78.0	24.6	42.4	25.5	14.2	3/8"
45	138.0	82.5	62.5	79.0	24.6	42.4	25.5	14.2	3/8"
48	138.0	82.5	65.5	82.0	24.6	42.4	25.5	14.2	3/8"
50	150.0	87.0	68.0	85.0	24.6	42.4	25.5	14.2	3/8"
53	150.0	97.0	72.0	95.0	24.6	42.4	25.5	18.0	3/8"
55	150.0	97.0	73.0	88.0	24.6	42.4	25.5	18.0	3/8"
60	157.0	102.0	78.0	100.0	24.6	42.4	25.5	18.0	3/8"
65	165.0	109.0	84.8	107.0	24.6	42.4	25.5	18.0	3/8"
70	178.0	118.5	93.0	116.0	24.6	42.4	25.5	18.0	3/8"
75	190.0	129.0	100.0	125.0	26.6	57.4	28.0	18.0	3/8"
80	195.0	135.0	106.4	131.0	26.6	57.4	28.0	18.0	3/8"
85	198.0	139.0	109.5	135.0	26.6	57.4	28.0	22.0	3/8"
90	205.0	145.0	115.9	142.0	26.6	57.4	28.0	22.0	3/8"
95	208.0	148.0	119.1	145.0	26.6	57.4	28.0	22.0	3/8"
100	218.0	154.0	125.4	151.0	26.6	57.4	28.0	22.0	3/8"

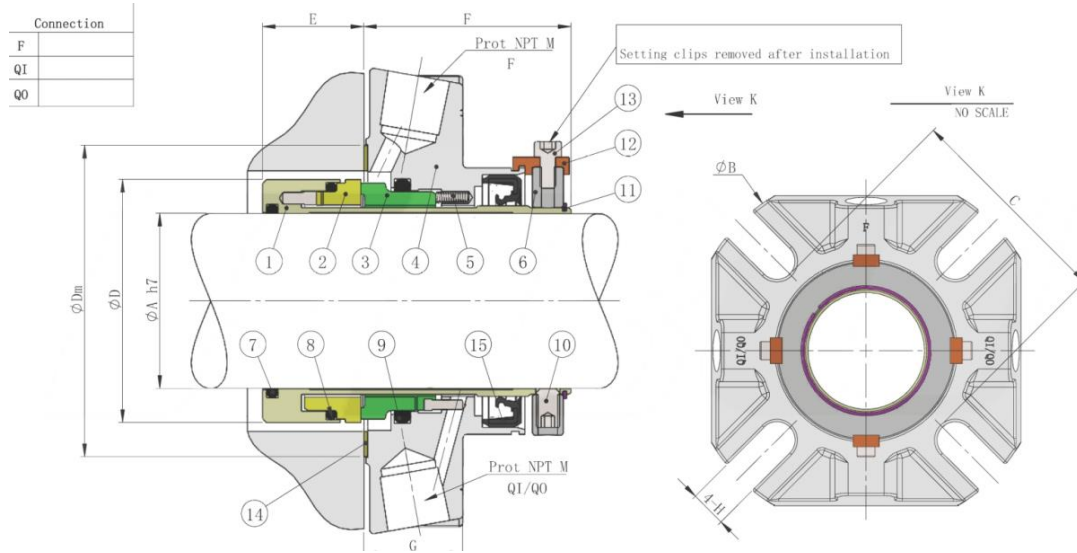
No	Description	Material
1	Shaft Sleeve	Stainless Steel
2	Rotary Face	SSIC/TC
3	Stationary Face	Carbon/SSIC/TC
4	Gland	Stainless Steel
5	Spring	Alloy 276
6	Clamp Ring	Stainless Steel
7	O-Ring	EPR/Viton/Aflas/Kalrez
8	O-Ring	EPR/Viton/Aflas/Kalrez
9	O-Ring	EPR/Viton/Aflas/Kalrez
10	Drive Screw	Stainless Steel
11	Circlip	Stainless Steel
12	Setting Clip	Brass
13	Clip Screw	Stainless Steel
14	Gasket	AF1

POLEGADAS

A	B	C	D	Dm	E	F	G	H	M
1.000	4.134	2.440	1.693	2.362	0.969	1.669	1.003	0.520	1/4"
1.125	4.134	2.440	1.811	2.362	0.969	1.669	1.003	0.520	1/4"
1.250	4.330	2.760	2.000	2.250	0.969	1.669	1.003	0.520	1/4"
1.375	4.449	2.840	2.087	2.677	0.969	1.669	1.003	0.520	1/4"
1.500	4.842	3.149	2.205	2.874	0.969	1.669	1.003	0.520	3/8"
1.625	4.842	3.149	2.402	3.071	0.969	1.669	1.003	0.599	3/8"
1.750	5.433	3.248	2.461	3.110	0.969	1.669	1.003	0.599	3/8"
1.875	5.433	3.248	2.579	3.228	0.969	1.669	1.003	0.599	3/8"
2.000	5.905	3.818	2.677	3.346	0.969	1.669	1.003	0.599	3/8"
2.125	5.905	3.818	2.874	3.465	0.969	1.669	1.003	0.709	3/8"
2.250	6.181	4.020	3.071	3.937	0.969	1.669	1.003	0.709	3/8"
2.375	6.417	4.290	3.212	4.213	0.969	1.669	1.003	0.709	3/8"
2.500	6.417	4.290	3.339	4.213	0.969	1.669	1.003	0.709	3/8"
2.625	7.008	4.660	3.661	4.567	0.969	1.669	1.003	0.709	3/8"
2.750	7.283	4.960	3.858	3.779	0.969	1.669	1.003	0.709	3/8"
2.875	7.480	5.079	3.937	4.921	1.047	2.260	1.102	0.709	3/8"
3.000	7.677	5.197	4.189	5.157	1.047	2.260	1.102	0.709	3/8"
3.125	7.677	5.315	4.212	4.113	1.047	2.260	1.102	0.709	3/8"
3.250	7.795	5.472	4.311	5.315	1.047	2.260	1.102	0.709	3/8"
3.375	7.795	5.591	4.500	5.157	1.047	2.260	1.102	0.866	3/8"
3.500	8.071	5.709	4.563	5.591	1.047	2.260	1.102	0.866	3/8"
3.625	8.189	5.827	4.689	5.709	1.047	2.260	1.102	0.866	3/8"
3.750	8.583	6.063	4.937	5.945	1.047	2.260	1.102	0.866	3/8"
4.000	8.583	6.063	4.937	5.945	1.047	2.260	1.102	0.866	3/8"

KSCN

MM



No	Description	Material
1	Shaft Sleeve	Stainless Steel
2	Rotary Face	SSIC/TC
3	Stationary Face	Carbon/SSIC/TC
4	Gland	Stainless Steel
5	Spring	Alloy 276
6	Clamp Ring	Stainless Steel
7	O-Ring	EPR/Viton/Aflas/Kalrez
8	O-Ring	EPR/Viton/Aflas/Kalrez
9	O-Ring	EPR/Viton/Aflas/Kalrez
10	Drive Screw	Stainless Steel
11	Circlip	Stainless Steel
12	Setting Clip	Brass
13	Clip Screw	Stainless Steel
14	Gasket	AF1
15	Oil Seal	Stainless Steel

	A	B	C	D	Dm	E	F	G	H	M
25	105.0	62.0	43.0	60.0	60.0	26.1	53.4	25.5	13.2	1/4"
28	105.0	62.0	46.0	60.0	60.0	26.1	53.4	25.5	13.2	1/4"
30	105.0	67.0	48.0	65.0	65.0	26.1	53.4	25.5	13.2	1/4"
32	110.0	70.0	50.0	65.0	65.0	26.1	53.4	25.5	13.2	1/4"
33	110.0	70.0	50.0	65.0	65.0	26.1	53.4	25.5	13.2	1/4"
35	113.0	72.0	53.0	68.0	68.0	26.1	53.4	25.5	13.2	1/4"
38	135.0	80.0	56.0	78.0	78.0	26.1	53.4	25.5	13.2	3/8"
40	135.0	80.0	58.0	78.0	78.0	26.1	53.4	25.5	14.2	3/8"
42	135.0	80.0	61.0	78.0	78.0	26.1	53.4	25.5	14.2	3/8"
43	135.0	80.0	61.0	78.0	78.0	26.1	53.4	25.5	14.2	3/8"
45	138.0	82.5	62.5	79.0	79.0	26.1	53.4	25.5	14.2	3/8"
48	138.0	82.5	65.5	82.0	82.0	26.1	53.4	25.5	14.2	3/8"
50	150.0	87.0	68.0	85.0	85.0	26.1	53.4	25.5	14.2	3/8"
53	150.0	97.0	72.0	95.0	95.0	26.1	53.4	25.5	18.0	3/8"
55	150.0	97.0	73.0	88.0	88.0	26.1	53.4	25.5	18.0	3/8"
60	157.0	102.0	78.0	100.0	100.0	26.1	53.4	25.5	18.0	3/8"
65	165.0	109.0	84.8	107.0	107.0	26.1	53.4	25.5	18.0	3/8"
70	178.0	118.5	93.0	116.0	116.0	26.1	53.4	25.5	18.0	3/8"
75	190.0	129.0	100.0	125.0	125.0	34.1	63.9	28.0	18.0	3/8"
80	195.0	135.0	106.4	131.0	131.0	34.1	63.9	28.0	18.0	3/8"
85	198.0	139.0	109.5	135.0	135.0	34.1	63.9	28.0	22.0	3/8"
90	205.0	145.0	115.9	142.0	142.0	34.1	63.9	28.0	22.0	3/8"
95	208.0	148.0	119.1	145.0	145.0	34.1	63.9	28.0	22.0	3/8"
100	218.0	154.0	125.4	151.0	151.0	34.1	63.9	28.0	22.0	3/8"

POLEGADAS

	A	B	C	D	Dm	E	F	G	H	M
1.000	4.134	2.440	1.693	2.362	2.362	1.028	2.102	1.003	0.520	1/4"
1.125	4.134	2.440	1.811	2.362	2.362	1.028	2.102	1.003	0.520	1/4"
1.250	4.330	2.760	2.000	2.250	2.250	1.028	2.102	1.003	0.520	1/4"
1.375	4.449	2.840	2.087	2.677	2.677	1.028	2.102	1.003	0.520	1/4"
1.500	4.842	3.149	2.205	2.874	2.874	1.028	2.102	1.003	0.520	3/8"
1.625	4.842	3.149	2.402	3.071	3.071	1.028	2.102	1.003	0.599	3/8"
1.750	5.433	3.248	2.461	3.110	3.110	1.028	2.102	1.003	0.599	3/8"
1.875	5.433	3.248	2.579	3.228	3.228	1.028	2.102	1.003	0.599	3/8"
2.000	5.905	3.818	2.677	3.346	3.346	1.028	2.102	1.003	0.599	3/8"
2.125	5.905	3.818	2.874	3.465	3.465	1.028	2.102	1.003	0.709	3/8"
2.250	6.181	4.020	3.071	3.937	3.937	1.028	2.102	1.003	0.709	3/8"
2.375	6.417	4.290	3.212	4.213	4.213	1.028	2.102	1.003	0.709	3/8"
2.500	6.417	4.290	3.339	4.213	4.213	1.028	2.102	1.003	0.709	3/8"
2.625	7.008	4.660	3.661	4.567	4.567	1.028	2.102	1.003	0.709	3/8"
2.750	7.283	4.960	3.858	3.779	3.779	1.028	2.102	1.003	0.709	3/8"
2.875	7.480	5.079	3.937	4.921	4.921	1.343	2.516	1.102	0.709	3/8"
3.000	7.677	5.197	4.189	5.157	5.157	1.343	2.516	1.102	0.709	3/8"
3.125	7.677	5.315	4.212	4.113	4.113	1.343	2.516	1.102	0.709	3/8"
3.250	7.795	5.472	4.311	5.315	5.315	1.343	2.516	1.102	0.709	3/8"
3.375	7.795	5.591	4.500	5.157	5.157	1.343	2.516	1.102	0.866	3/8"
3.500	8.071	5.709	4.563	5.591	5.591	1.343	2.516	1.102	0.866	3/8"
3.625	8.189	5.827	4.689	5.709	5.709	1.343	2.516	1.102	0.866	3/8"
3.750	8.583	6.063	4.937	5.945	5.945	1.343	2.516	1.102	0.866	3/8"
4.000	8.583	6.063	4.937	5.945	5.945	1.343	2.516	1.102	0.866	3/8"